



pelican systems

flush plastered ceilings



Flush Plastered Ceilings make use of either JUMBO Flush Plastered Grid or JUMBO Steel Brandering to which JUMBO plasterboard would be fixed. Depending on the application a variety of plasterboards can be used including 7mm, 9mm and occasionally 12mm especially if a moisture resistant solution is needed for verandas, bathrooms or kitchen areas.

Flush Plastered Ceilings or Fixed Ceilings are popular for Residential and Commercial Ceiling applications. JUMBO plasterboard (also known as Gypsum Board) is fixed to either a Flush-Plastered Grid system or JUMBO Steel Brandering. The JUMBO plasterboards are covered using either JUMBO Jointing Plaster (for a tape and join ceiling) or JUMBO Skimming Plaster (for a fully skimmed ceiling).

These products are also used for bulkheads where squares or rectangular areas are lowered or recessed to create a different level of ceiling and an opportunity for lighting and focus on an area of the ceiling.

The Flush Plaster Ceiling can be finished with a decorative cornice or designer ceiling trims to create clean lines, subtle curves, shadows, and different levels and features.

An extremely versatile ceiling application where your architect can make full use of the ceiling as a design feature.



grid...for flush plastered ceilings

JUMBO® Grid systems are specially designed to meet the stringent requirements of modern day sophisticated ceiling designs.

JUMBO® Grid is suitable for any flush plastered ceiling application in commercial and residential sectors including, retail outlets, hospitals, schools, hotels, restaurants and residential ceilings.

With adaptable configurations JUMBO® Grid is suitable for curved and raised bulkheads and ideally suited to create special lighting effects.

Features and Benefits

- High performance, durability and ease of installation
- High quality galvanised steel - effective protection against corrosion
- Offers versatility and flexibility to designers
- Positive lock coupling mechanisms with audible click
- Stepped end cross tees that prevent tee rotation
- Knurled face allows positive screw fixing
- Quick release clip

JUMBO® Grid 35mm x 38mm

Description	Size (m)	Qty / Box	Mass / Box (kg)	Coverage / Box (m ² / Box)
Main Tee	3.6	20	27	78
Cross Tee	1.2	60	26.3	30
Galvanised Angle 25 x 25 x 0.6 mm	3.6	20	17.0	



Main Tee



Cross Tee



25 x 25mm Angle



Bill of Quantity Specification

Supply and install Pelican Systems JUMBO® Main Tees at 1200 centres in one direction and 1200mm JUMBO® Cross Tees at 400mm centres perpendicular to Main Tees. Main Tees to be suspended at 1200mm centres by means of 25 x 25 x 0.6mm Galvanised Steel Angle, fixed to bulb of Main Tee with 13mm Wafer Tek Screws or Steel Pop Rivets and to slab with 6 x 30mm Express Nails and Washers. Fix 7, 9 or 12mm Standard JUMBO® Plasterboard or 12mm Moisture Resistant Plasterboard to the underside of grid system with tapered edge of board facing down with 25mm Drywall Screws at 150mm centres.

Depending on finish either apply 50mm JUMBO® Fibre Tape to all joints and finish the entire ceiling with 3-5mm JUMBO® Skimming Plaster or fix JUMBO® Fibre Tape to all joints and finish with JUMBO® Jointing Plaster.

All installations to be done in accordance with SABISA guidelines. Specifications are available on Autospec and our website.

Pelican Systems has had an ISO 9001 Quality Management System in place from 2005 to 2020.

A full list of stockists is available on the Contacts Page of our website.



steel branding... the sensible solution for modern flush plastered ceilings

JUMBO® Steel Branding is a modern, cost effective alternative to timber branding for flush plastered ceilings and bulkheads. The beauty of JUMBO® Steel Branding is the precision it allows due to the straightness and evenness of the profiles making this a preferred option for installers.

Features and Benefits

- Eco-friendly alternative instead of using scarce environmental resources
- Easy to install
- Levelling of the ceiling is an easy one step process
- Steel does not age, warp or deteriorate over time
- Steel has a longer-life span and is not susceptible to wood borer and other termites
- Cost Effective
- Easy transportation, handling and stacking
- Easy to cut
- Minimal waste

JUMBO® Steel Branding is increasingly being preferred to traditional timber branding for flush plastered ceilings where designs are far more elaborate with varying levels, shadows and bulkhead features.

Product Description

Description	Gauge of Steel (mm)	Profile Dimensions (mm)	Sizes Available
Steel Branding	0.4	36 x 18	2.7, 3.0, 3.6, 4.2
Suspension Bracket	0.8	45 x 150 / 45 x 300	150 / 300 mm
Joiner			75 mm

JUMBO® Steel Branding is fitted perpendicular to the roof trusses by means of suspension brackets which are available in lengths of 150mm and 300mm (which accommodates large shadowline trims).

Swaged ends of the steel allow the profiles to be fitted together without the need for joiners. This interlocking feature allows for surface movement without the formation of any cracks forming in the ceiling.

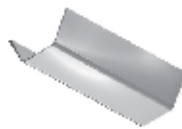
Joiners are available and can be used where cut ends are unavoidable.



Suspension Bracket



Steel Branding



Joiner

JUMBO® Insulation Required to meet SANS 10400-XA & SAN 204 Requirements (mm)

Ceiling System	Board Thickness (mm)	Finish	Steel Branding spacing (mm)	Climatic Zone					
				1	2	3	4	5	6
7mm JUMBO® H-Strip	7	H-Strip	400						
7mm JUMBO® Flush	7	Flush Plastered	300						
9mm JUMBO® Jointed	9	Tape & Join	500						
9mm JUMBO® Flush	9	Flush Plastered	400	135	115	100	135	100	135
12mm JUMBO® Jointed	12	Tape & Join	600						
12mm JUMBO® Flush	12	Flush Plastered	600						
PVC Ceilings	7	None	500						

	Fixing Centres		
	300 mm	400 mm	500 mm
Metres of Steel Branding per m ² of ceiling	3.3	2.5	2

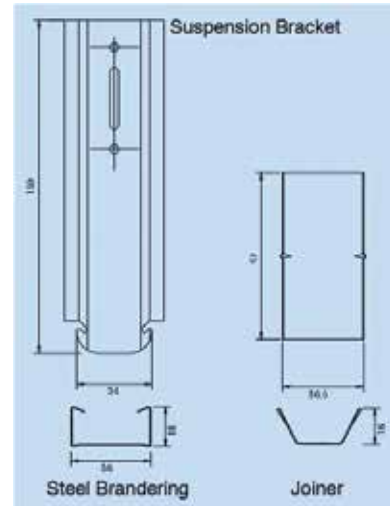
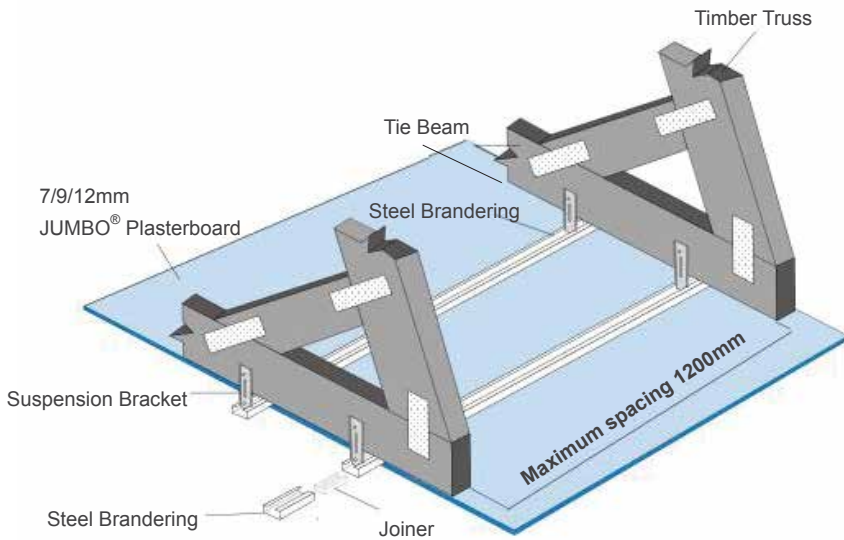
NB: Maximum tie beam / joist spacing shall not exceed 1200mm

The above calculations will provide approximate quantities and do not allow for wastage.

Allow for a Suspension bracket at every fixing point spaced at maximum 1200mm centres.



Typical 3 Dimensional Construction Detail



* sections not drawn to scale

Bill of Quantity Specification

7mm JUMBO® H-Strip Ceiling System

Fix one layer of 7mm JUMBO® Plasterboard to JUMBO® Steel Branderings installed at maximum 400mm centres. Fix JUMBO® Plasterboard using 25mm JUMBO® Drywall Screws at maximum 150mm centres. All joints shall be staggered. Install H-strips and spot the screw heads using JUMBO® Jointing Plaster. Ceiling grid consisting of JUMBO® Suspension Brackets (150/300mm) fixed to tie beam/joist using 35mm Drywall Course Thread Screws. Install 25 x 25mm Galvanised Steel Angle at ceiling level to the wall. Install JUMBO® Steel Branderings onto the suspension brackets. Fix JUMBO® Steel Branderings to the galvanised steel angle using 13mm Wafer Tek Screws.

9/12mm JUMBO® Tape & Join Ceiling System

Fix one layer of 9/12mm JUMBO® Plasterboard to JUMBO® Steel Branderings installed at maximum 500/600mm centres. Fix JUMBO® Plasterboard using 25mm JUMBO® Drywall Screws at maximum 150mm centres. All joints shall be staggered. Apply JUMBO® Fibre Tape to all joints and cover it with 2 layers of JUMBO® Jointing Plaster. Ceiling grid consisting of JUMBO® Suspension Brackets (150/300mm) fixed to tie beam / joist using 35mm JUMBO® Drywall Course Thread Screws. Install 25 x 25mm Galvanised Steel Angle at ceiling level to the wall. Install JUMBO® Steel Branderings onto the suspension brackets. Fix JUMBO® Steel Branderings to the galvanised steel angle using 13mm Wafer Tek Screws.

7/9/12mm JUMBO® Flush Plastered Ceiling System

Fix one layer of 7/9/12mm JUMBO® Plasterboard to JUMBO® Steel Branderings installed at maximum 300/400/600mm centres. Fix JUMBO® Plasterboard using 25mm JUMBO® Drywall Screws at maximum 150mm centres. All joints shall be staggered. Apply JUMBO® Fibre Tape to all joints and skim the ceiling with JUMBO® Skimming Plaster. Ceiling grid consisting of JUMBO® Suspension Brackets (150/300mm) fixed to tie beam / joist using 35mm JUMBO® Drywall Course Thread Screws. Install 25 x 25mm Galvanised Steel Angle at ceiling level to the wall.

Install JUMBO® Steel Branderings onto the suspension brackets. Fix JUMBO® Steel Branderings to the galvanised steel angle using 13mm Wafer Tek Screws.

All installations to be done in accordance with SABISA guidelines. Specifications are available on Autospec and our website.

Pelican Systems has had an ISO 9001 Quality Management System in place from 2005 to 2020.

A full list of stockists is available on the Contacts Page of our website.



plasterboard for ceilings

The question of quality versus speed has always been a contentious one in interior design. Economics and demand require buildings to go up quickly and affordably, which can compromise quality.

JUMBO® Plasterboard offers an alternative solution for internal walls and can be used for both residential and commercial ceiling applications. JUMBO® Plasterboard is also used to form bulkheads, create curved ceilings, floating ceilings and radiused walls. An extremely versatile product which can accommodate innovative and creative design features, JUMBO® Plasterboard achieves the aesthetic requirements of the design without the necessary drying time for alternate wet trade solutions. All our JUMBO® products are compatible with our ceiling and partition systems.

Features and Benefits

- Quick and easy to install
- Durable, recyclable and versatile
- Light weight



JUMBO® 7mm Plasterboard Square Edge

Recommended for residential ceilings when used in conjunction with our JUMBO® Suspension system (Steel Brandering / JUMBO® Grid) an extremely level ceiling surface can be achieved. Orders and planning are simplified and handling and storage is easier on site as 7mm JUMBO® Plasterboard is stocked in four lengths and one width only.

Sizes	Weight / Board (kg)	Quantity / Pallet	Mass / Pallet (kg)
2400 x 1200 SE	14.10	100	1780
2700 x 1200 SE	15.80	100	2090
3000 x 1200 SE	17.60	100	2240
3600 x 1200 SE	21.20	100	2500

100 per pallet | 4.90 kg/m²

JUMBO® 9mm Plasterboard Tapered Edge

Recommended for commercial ceilings and up-market residential ceilings. Floating ceilings and innovative bulkhead designs can be achieved using the 9mm JUMBO® Plasterboard, JUMBO® Angles and Shadowline Plaster Trims.

Sizes	Weight / Board (kg)	Quantity / Pallet	Mass / Pallet (kg)
2400 x 1200 TE	18.10	80	1550
2700 x 1200 TE	20.40	80	1750
3000 x 1200 TE	22.70	80	1860
3600 x 1200 TE	27.20	80	2320

80 per pallet | 6.30 kg/m²

JUMBO® 12mm Moisture Resistant Plasterboard Tapered Edge

Recommended for both residential and commercial ceiling and drywall applications for wet areas ie: bathrooms and kitchens. 12mm JUMBO® Moisture Resistant Plasterboard is used to form smooth, straight drywalls with sharp edges and when used in conjunction with our drywall systems can provide moisture, impact and acoustic solutions.

Sizes	Weight / Board (kg)	Quantity / Pallet	Mass / Pallet (kg)
2700 x 1200 TE	27.54	70	1960
3000 x 1200 TE	30.60	70	2230

70 per pallet | 8.50 kg/m²



plasters... it's all in the finish

Understanding the importance of the finishing of a ceiling and drywall and that it can detract from or enhance the overall finished look we have carefully chosen the plasters to brand JUMBO® and are confident that both the JUMBO® Skimming and JUMBO® Jointing are quality plasters that will produce a quality finish.



JUMBO® Skimming Plaster

Is a multi-purpose interior gypsum plaster especially formulated for skimming on brick, plasterboard and cement with no need for pre-treatment. It provides a smooth, inert, high quality surface to internal walls and ceilings, and a durable base for the application of decorative finishes.

JUMBO® Skimming Plaster allows for a one-step product application to save time and money and deliver a better quality high performance finish.

Features and Benefits

- Increased spreading rate – goes further and saves you money
- Improved workability and flexibility – saving application time and labour costs
- Superior finish – in both smoothness and whiteness
- Harder once dry, so less prone to chipping, cracking and shrinkage
- Silky smooth finish which requires no sanding prior to painting
- A brilliant white finish allows for improved paint coverage
- Product Shelf life is at least 12 months when stored correctly

New bag size - 25kg - easier product handling and less wastage

JUMBO® Jointing Plaster

A joint filler formulated specially for short setting times. It is designed as a filler for plasterboard systems but can also be used as an interior crack filler and for filling rough plaster surfaces prior to painting.

Features and Benefits

- 1 hour setting time allows for faster work on site
- 1 hour working time for prepared batch
- Improved coverage of approximately 350g / m² of plasterboard
- Excellent surface for decorating with paint or wallpaper
- Product Shelf life is at least 9 months when stored correctly

Available in 15kg and 25kg bag sizes



JUMBO® plasters are designed to be ultra-tough, ultra-smooth and ultra-white.

JUMBO® plasters dry fast and are easy to apply over masonry, concrete, plasterboard and other surfaces.

Made from the highest quality ingredients, with careful environmental consideration and superior performance and finish JUMBO® Skimming and JUMBO® Jointing are quality plasters well worth trying.

All installations to be done in accordance with SABISA guidelines. Specifications are available on Autospec and our website.

Pelican Systems has had an ISO 9001 Quality Management System in place from 2005 to 2020.

A full list of stockists is available on the Contacts Page of our website.



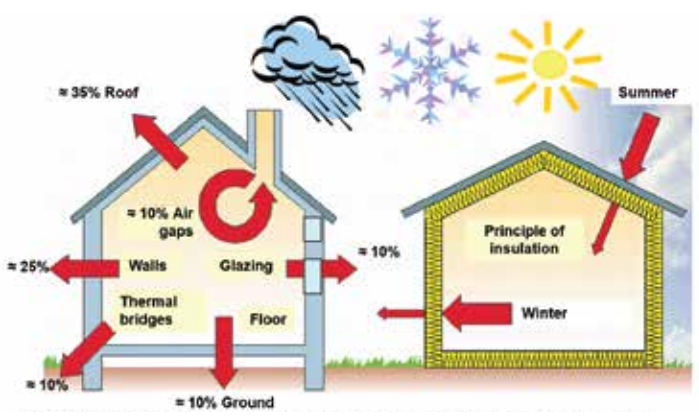
insulation... your thermal energy saver!

Insulation has become a vital part of all building developments not just with the legislation by NBR requiring that all new buildings and renovations requiring plan approval to be insulated but also with society's pressure to live a "greener" lifestyle.

JUMBO® Insulation facilitates both - providing insulation, saving electricity and making a contribution towards a "Greener" tomorrow by its contribution to reducing greenhouse gases.

40% of SA total energy currently used in buildings

Correctly insulating the building envelope in combination with energy saving techniques can control energy losses and reduce energy consumption by up to 78%



Features and Benefits

- 100% people and nature friendly
- 100% recyclable
- It will not absorb water and will dry naturally regaining its resistance and density
- Fire tested in accordance with SANS 10177-10 (428)
- Non-toxic, there are no chemical additives and it is completely odourless
- Maintenance free, it retains loft and does not degrade over time

JUMBO® Insulation IS FULLY COMPLIANT and has the SABS test and mark.

Product Specifications

Thickness	Metres per Roll	Roll width	Area Covered in m ² per Roll	Density per Roll kgs/m ³	*Weight per Roll in kgs	"R" Value	Packaging Colour
50mm	10	1.200	12.0	10.1	6	1.15	Green
100mm	6	1.200	7.2	10.1	7.2	2.20	Yellow
135mm	5	1.200	6.0	10.1	8.1	2.70	Purple

* Note: 10% variance allowable either up or down

R-VALUE = MATERIAL RATING FOR THEIR PERFORMANCE IN RESTRICTING HEAT TRANSFER.

This is expressed as the R-VALUE which is the measure of the materials resistance to heat transfer, alternatively known as thermal resistance. The higher the R- VALUE the greater the insulation effect.

Know the Legislation

The National Building Regulations (NBR) which came into effect on 9 November 2011 implemented two new standards to regulate energy usage and energy efficiency in buildings.

- SANS 10400-XA – Energy usage in buildings
- SANS 204 – Energy efficiency in buildings

All new buildings and extensions are required to comply with the new regulations which state that all new buildings and building extensions as per the building occupancy classes specified in the regulation will be required to have thermal insulation installed. Thermal Insulation is compulsory in the design of new buildings with a floor area > 80m².

Over and above the requirement to include insulation into the building, the overall roof assembly including the roof covering materials (tiles, metal sheeting) ceilings and the insulation, are required to meet a minimum total thermal resistance as specified for the various climatic zones.

(Ref. www.tiasa.org.za)

Levels of Insulation

The level of insulation will depend on the climatic zone, building construction type, and whether auxiliary heating and/or cooling is used.

The following deemed-to-satisfy rules are to be applied by the building owner at the design stage of the building if he chooses not to consider a rational design option. A roof and/or ceiling that are part of the building envelope must achieve the Total R-Value as specified in SANS 10400-XA for the direction of heat flow.

The following table below gives typical data and deemed-to-satisfy thicknesses of generic insulation products in accordance with SANS 204 Energy efficiency in buildings.

Map of the Climatic Zones and Recommended Levels of Insulation in your area.



Legend	Zone	Description	Major Centres	R-Value	Thickness
	1	Cold Interior	Johannesburg, Bloemfontein	3.38	135mm
	2	Temperate Interior	Pretoria, Polokwane	2.88	115mm
	3	Hot Interior	Louis Trichardt, Nelspruit	2.50	100mm
	4	Temperate Coastal	Cape Town, Port Elizabeth	3.38	135mm
	5	Sub-tropical Coastal	East London, Durban, Richards Bay	2.50	100mm
	6	Arid Interior	Upington, Kimberley	3.38	135mm

Recommended Levels of Insulation to Achieve Deemed-To-Satisfy Rule for Energy Efficiency in an Unventilated Roof and Ceiling Construction

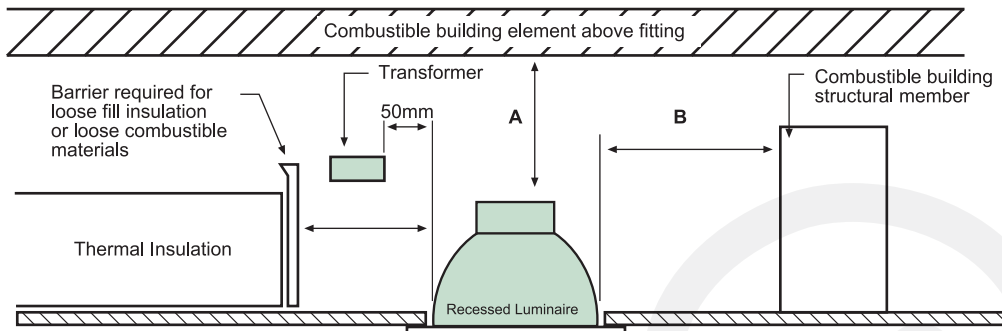
Climate Zones	1	2	3	4	5	6
Minimum required Total R-Value (m ² .K/W) (for roof solar absorptance of more than 0.55)	3.7	3.2	2.7	3.7	2.7	3.5
Direction of heat flow	Up	Up	Down and Up	Up	Down	Up
Estimated Total R-Value (m ² .K/W) of roof and ceiling materials (Roof covering & plasterboard only)	0.35 - 0.40			0.41 - 0.53	0.35 - 0.40	
Estimated Minimum added R-Value of Insulation (m ² .K/W)	2.30 - 3.35			2.15 - 2.29	3.10 - 3.15	

Generic Insulation Product	Density kg/m ³	Thermal conductivity W(m.k.)	Example: Roof construction description: metal/tile roof 22° - 45° pitch with horizontal ceiling. DTS - Recommended deemed-to-satisfy min thickness (mm) of bulk insulation product only; or RB: System option with addition of Radiant barrier over rafters - approx (mm) of bulk insulation required.											
			DTS product	RB system	DTS product	RB system	DTS product	RB system	DTS product	RB system	DTS product	RB system	DTS product	RB system
Flexible Polyester Blanket	11.5	0.16	160	120	140	100	120	80	160	120	110	75	150	120

The Right Insulation matters.... JUMBO insulation is 100% ECO & PEOPLE FRIENDLY

A well-insulated home or building will provide year-round comfort, cutting cooling and heating costs and reducing greenhouse emissions. JUMBO Insulation keeps your house cool in summer and warm in winter and will save you on electricity costs all year round. Spend a little more today and save year after year.

Installation Guidelines



Default Minimum Clearances for Recessed Luminaires		
Dimension	Incandescent lamp	Halogen lamp
A - clearance above luminaire	50 mm	200 mm
B - side clearance to structural member	100 mm	200 mm
C - clearance to thermal insulation	50 mm	200 mm
D - clearance to supply transformer	50 mm	



Manufactured by
Platinum Fibre (Pty) LTD
who is a member of TIASA



Head Office / Durban (031) 563 7307
Pietermaritzburg Branch (033) 345 3701
Northriding Branch 087 352 729 6 / 7 / 8 / 9
Centurion Branch 087 352 7268 / 6 / 8 / 9

A full list of stockists is available on the Contacts Page of our website.

Find us online at
www.pelican.co.za
or any of these social media sites

